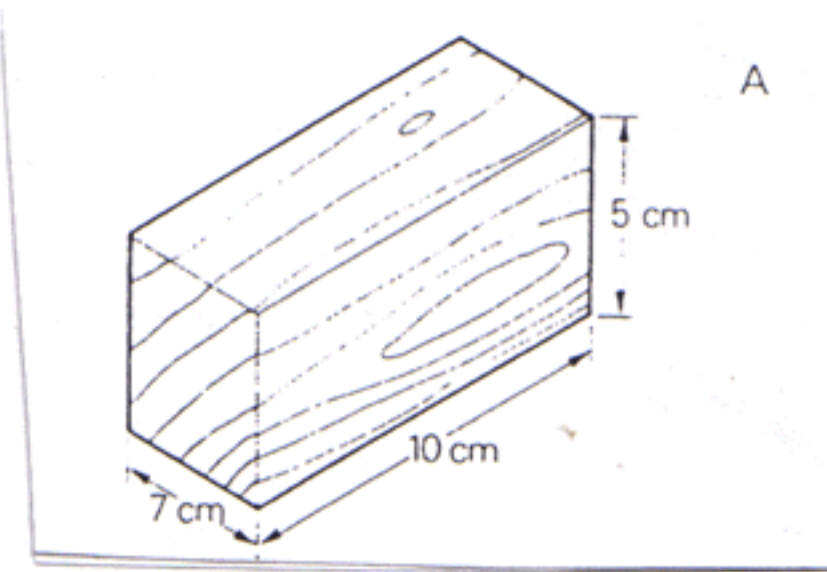


# SIZE AND SHAPE

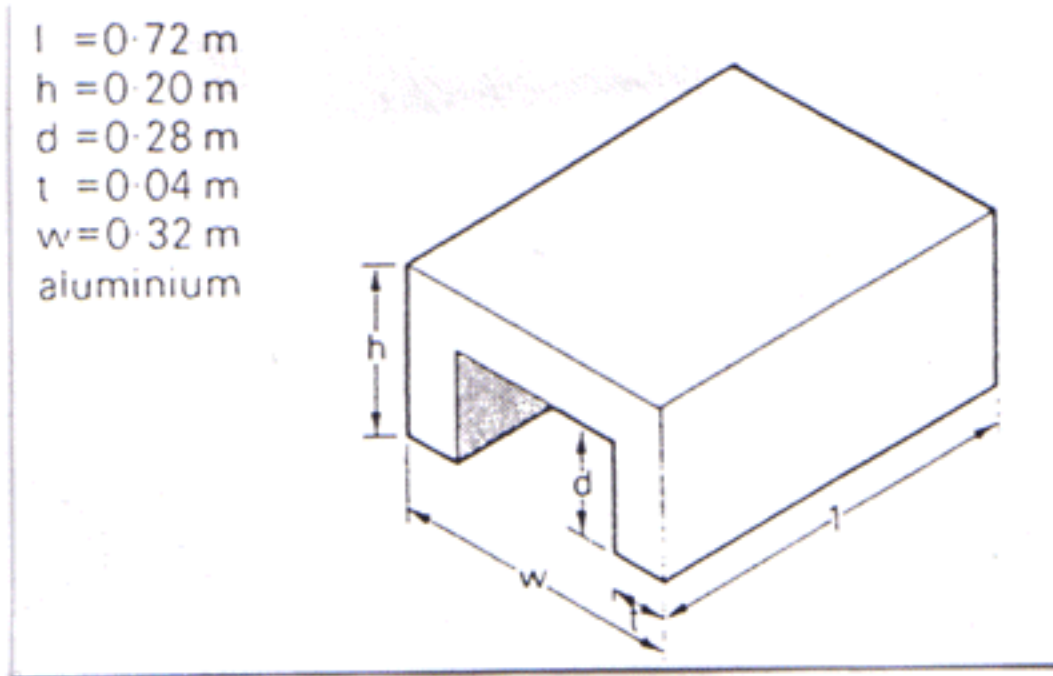
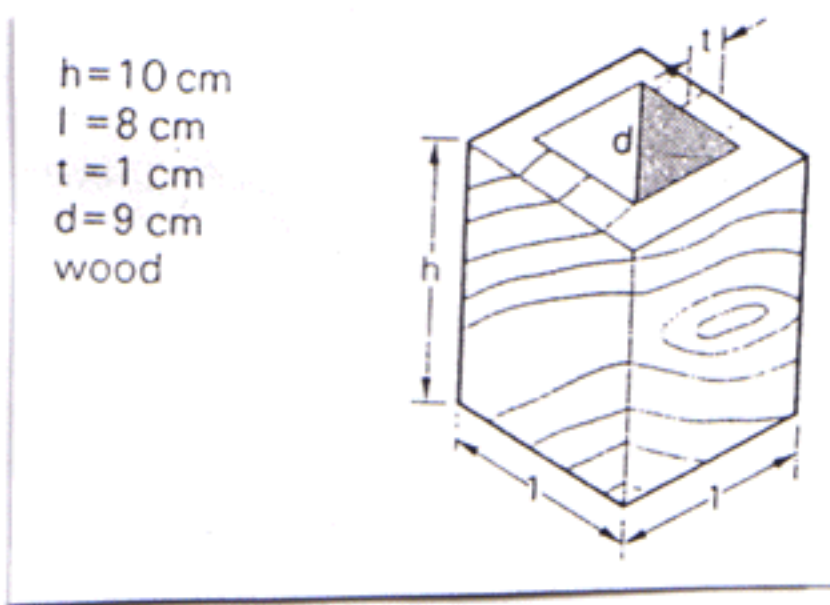
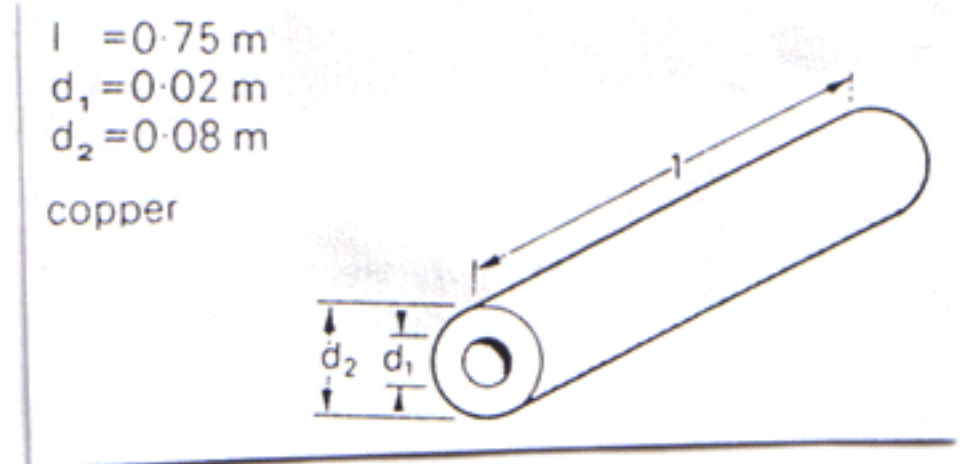
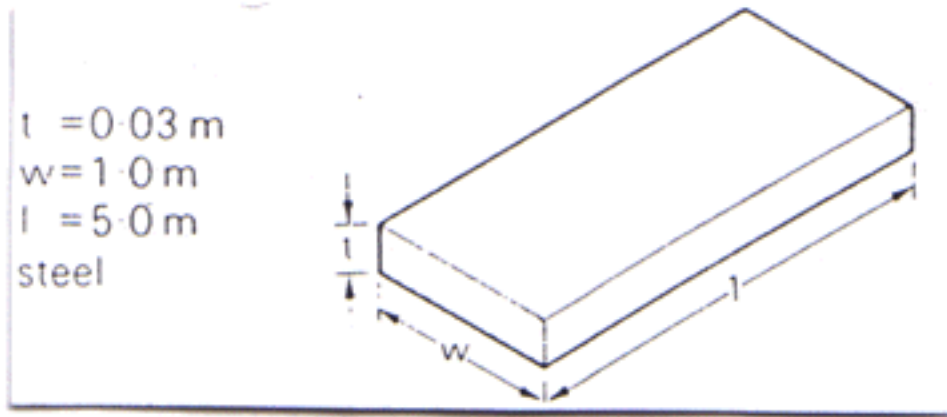
## A..Study the description below:

1. A is a solid wooden block 5 cm high, 10 cm long, and 4 cm wide.
2. A is a solid wooden block of height 5 cm, length 10 cm, and width 4 cm.
3. A is a solid wooden block. It is 5 cm in height, 10 cm in length, and 4 cm in width.
4. A is a solid wooden block which has a height of 5 cm, a length of 10 cm, and a width of 4 cm.

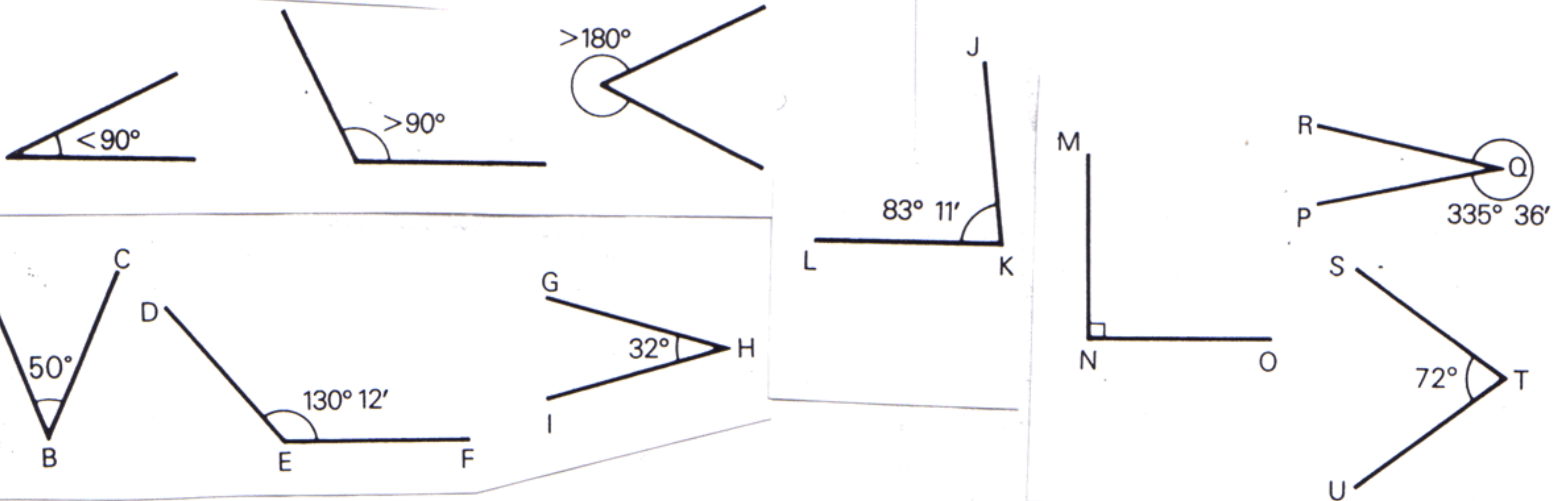


5. The height of A is 5 cm, the length is 10 cm, and its width is 4 cm.

## B. Now make similar statements about the following objects:



## C. Describe these angles:

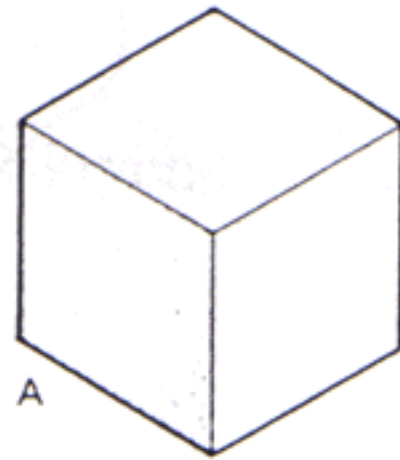




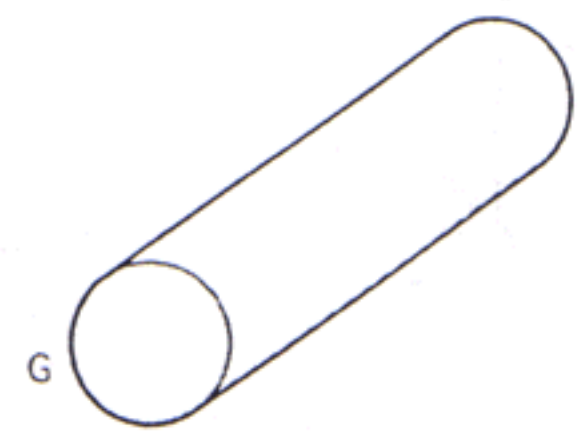
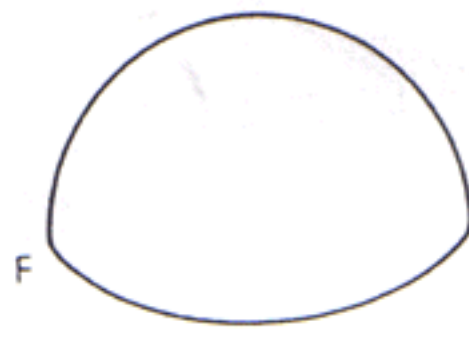
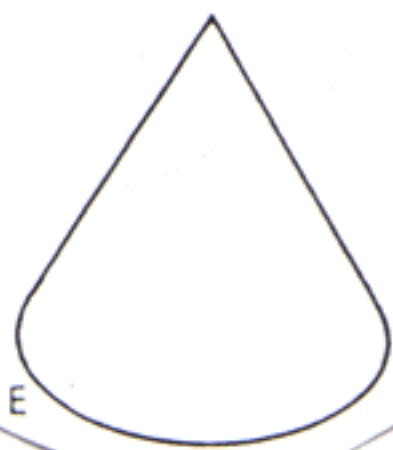
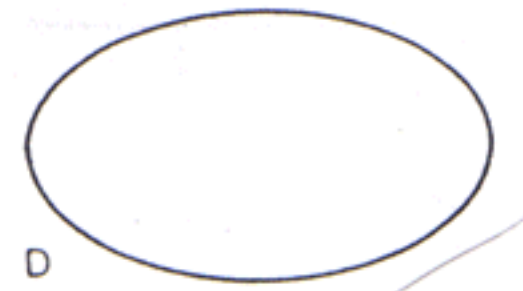
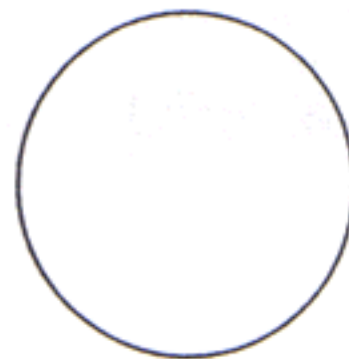
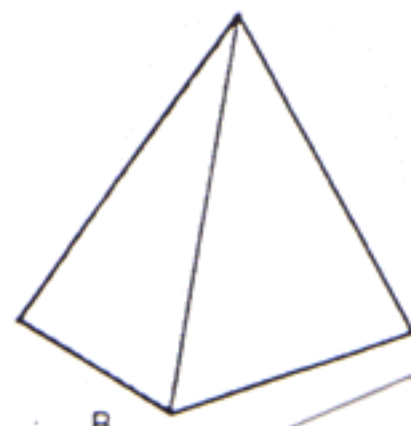
**D.** Here are some important 3-dimensional objects. If the objects are made of the following materials, make statements about them as in this example:

A metal

A is a metal cube.



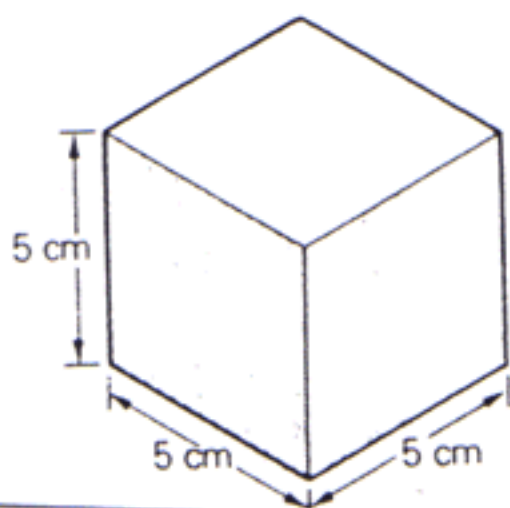
- A - steel
- B - wood
- C - rubber
- D - copper (solid)
- E - iron (hollow)
- F - plastic (hollow)
- G - glass (solid)



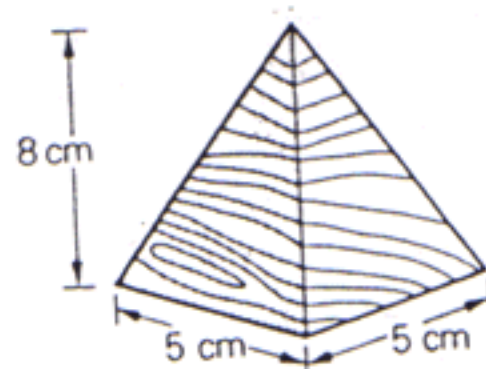
**E.** Now describe these objects, for example:

F is a solid steel cube of side 5 cm  
having a side of 5 cm  
which has a side of 5 cm.

F cube: solid steel



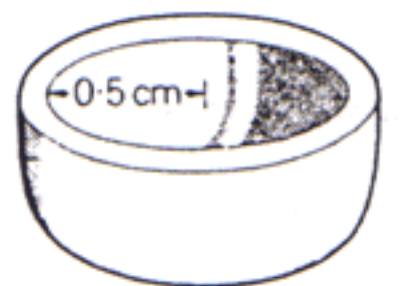
G block: solid wood



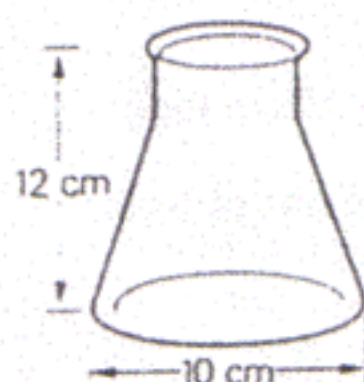
H ball: hollow rubber



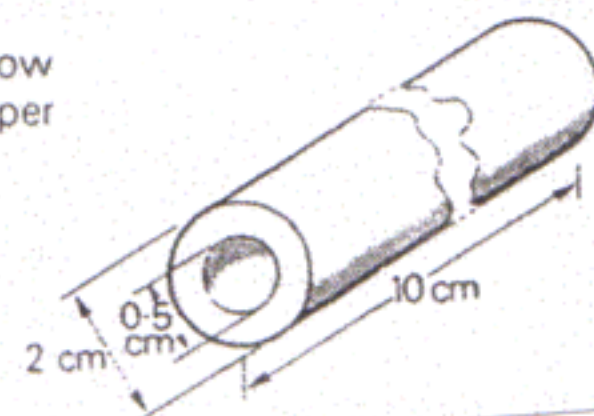
I cup: hollow silver



J flask: empty glass



K tube: hollow copper

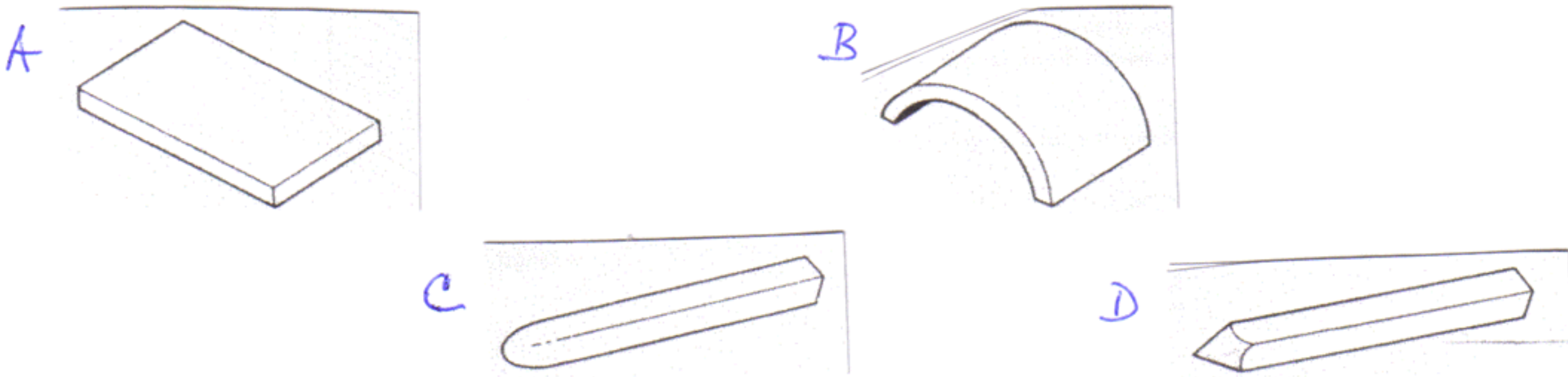




**F. Write 10 sentences as indicated below. Here is an example:**  
 The length of AB = 9.03 cm (just over). - AB is just over 9 cm long.

- |   |                   |                        |             |
|---|-------------------|------------------------|-------------|
| 1. x = 3.07 cm long                     | (a) exactly       | (b) approximately      |             |
| 2. y = 2.9 cm deep                      | (a) about         | (b) just under         |             |
| 2. The value of $\pi = 3.14159$         | (a) approximately | (b) slightly over      |             |
| 3. The width of the pipe = 0.216 meters | (a) under         | (b) just over          | (c) exactly |
| 4. The speed of the plane = 523 kph     | (a) a little over | (b) very approximately |             |

**G. Here are some other shapes that are useful for describing objects:**



1. While A is a .....plate, B is a .....plate.  
 2. C is a rod which is.....at on end. On the other hand, D is.....

3. This line is ..... 

4. This line is ..... 

5. A .....line 

6. A .....line 

7. A.....line 

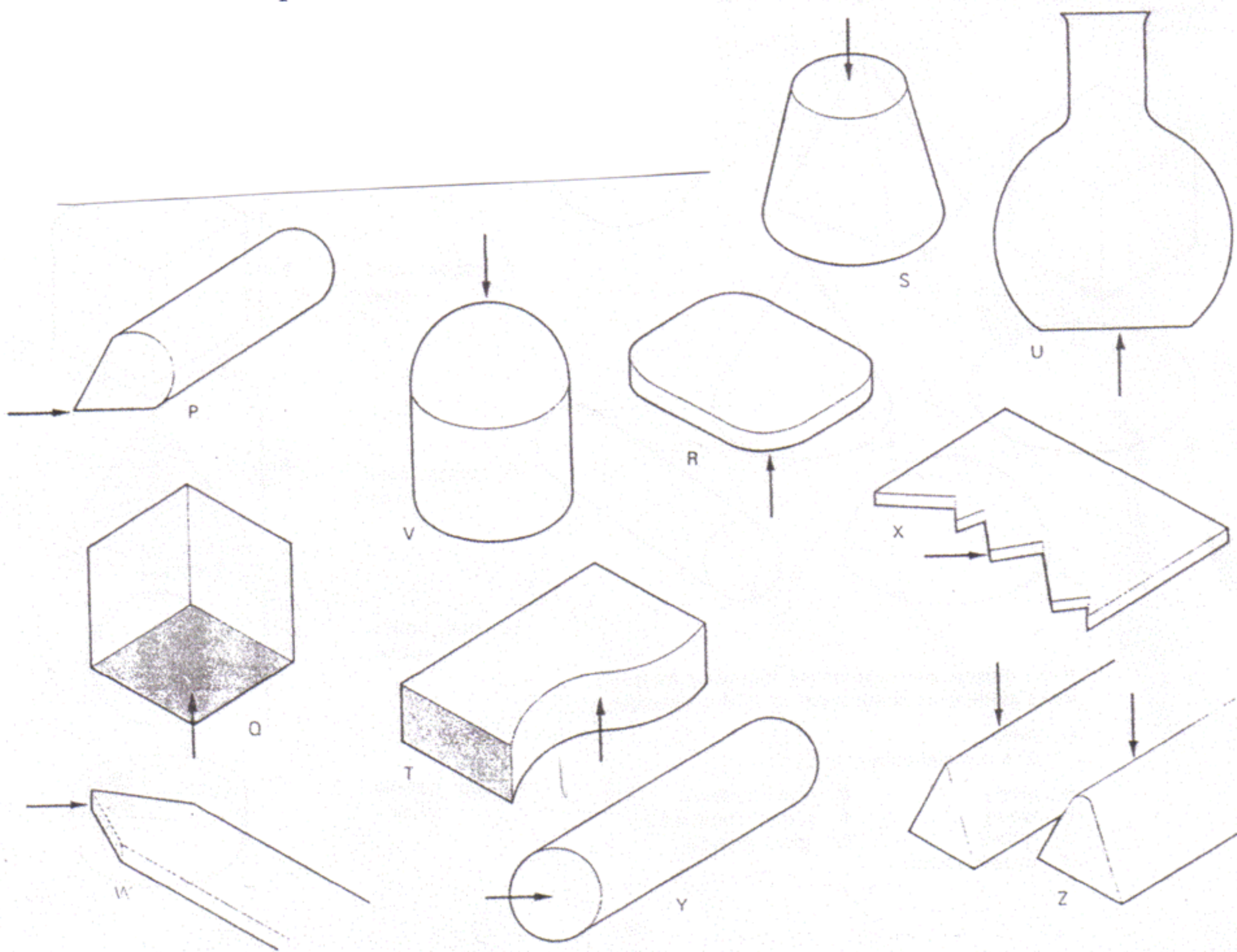
8. A .....line. 

9. A .....line. 



**H. Describe the shapes of the parts of the following objects which are marked with an arrow. For example:**

The end of P is pointed.



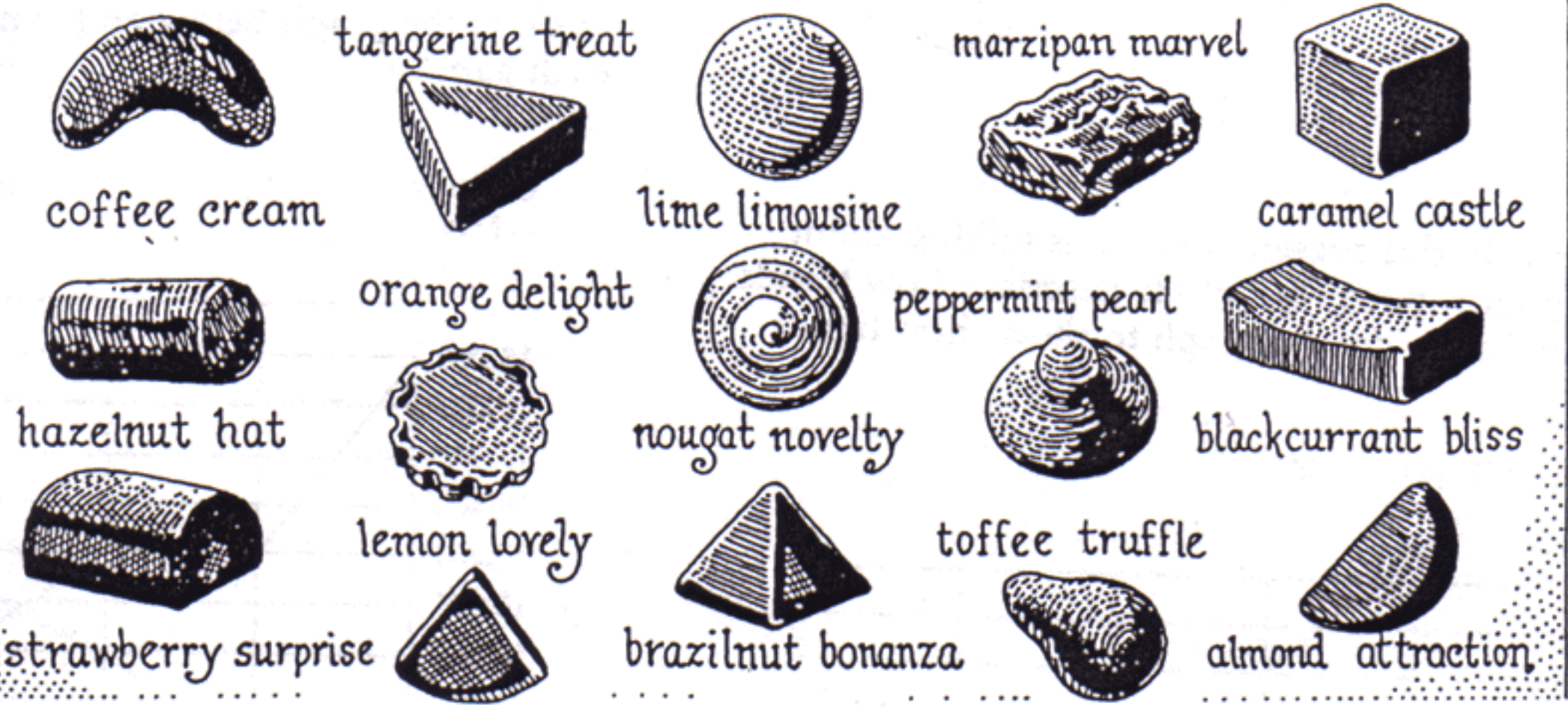
**I. Find the names of objects described below:**

1. It is square. It is 12.5 cm long and 12.5 cm high. It is made of cardboard and is quite thin. There are pictures and words on both sides of the cardboard. At one end there is an opening. You put a thin, round, silver plastic disk into this opening. The diameter of the disc is 12 cm (almost the same width as the cardboard). There is a small hole in the centre of the silver plastic disk.
2. It is often an oblong, box-shaped object. It is usually 1 m 70 cm long, 70 cm wide and about 50 cm in height. It can be any colour, but it is very often white. When used, the object contains water, which is about 25 cm deep.
3. It is shaped like a triangle. The length of the bottom of the triangle is usually about 40 cm. The other two sides make an angle of about  $30^\circ$ . All three sides are made of straight, thin pieces of metal, wood or plastic. On the top of the triangle there is a small curved piece that looks like a question mark.



# Practice

1



- 1 pyramid-shaped
- 2 spherical
- 3 a perfect cube
- 4 crescent-shaped
- 5 a spiral
- 6 pear-shaped
- 7 conical, a cone
- 8 oblong, with a convex top
- 9 rectangular, with a concave top
- 10 round, with a serrated edge
- 11 semi-circular, half-moon shaped
- 12 square, with an uneven surface
- 13 cylindrical, log-shaped
- 14 triangular, three-sided

2

And now some sophisticated work on the English alphabet. Which word (in capital letters) is being described below? Describe other words in the same way. When you can do this, you are doing very well with the vocabulary of this unit.

*First letter*

One **full-length perpendicular line is joined at the top and at its centre point** by two **parallel lines**, the former slightly longer than the latter, **extending to the right horizontally**.

*Second letter*

A **symmetrical, wedge-shaped figure: two straight but oblique lines slanting down to the base from a common point at the top; these are bisected by a single horizontal line**.

*Third letter*

A **long vertical line is connected at two points – at the top and halfway down – to a curved, semi-circular line running to the right. From the centre intersection a sloping line drops to the baseline at an angle of 45 degrees to the perpendicular, again to the right**.

3

Here are ten mixed-up sentences. Study them and write out the ten correct sentences.

Aluminium	has	a speed of	15 years.
Water	has	an average life of	0.000026 per °C.
Glass	has	a range of	100° C.
Sound	have	a resistance of	more than 5,000 km.
Cows	has	a coefficient of expansion of	2.8.
Some modern planes	has	a specific gravity of	-114° C.
Alcohol	has	a capacity of	760 mph at sea level.
The storage tank	have	a boiling point of	2,500 ohms per 100 cm.
This wire	has	a freezing point of	5,000 liters.